

Shanghai Xingmei Industry Co., Ltd
Anhui Mingzhuang Plastic Co., Ltd

About us

Contents

● Company Profile

● Developing Trend

● Our Factory

● Patent Technology

● Successful Cases

● Best Seller

1



Company Profile

20-years experience of cosmetic container production.

Company transformed successfully from the single production model

We are providing the cosmetic containers for both domestic and overseas thriving high valued cosmetic and personal healthy care brands with our creativity and design:

- Design & moulding development: Provide variety of mould options
- Develop functional, elegant, unisonous new products
- Mould making of high simulation
- Cooperate with material providers on production feasibility attempts
- Provide sampling service and related test report
- Optimization and adjustments on production technology
- Set standards to mass production, quality control
- Provide budgets of mass production and related cost

2



Developing Trend

1



BEAUTY R&D LAB

美研所

Only with idea and sincerity, can
we make products that touch the
world.

-Our Cause

China leading cosmetic industry of branding design and R&D services

2



Branding Strategy
Innovative Packaging Design

Design R&D

Moulding Development

Formula R&D

QC & Supply Chain Management

Sampling

Mass Production

3

Professional

Provide comprehensive product solution

International

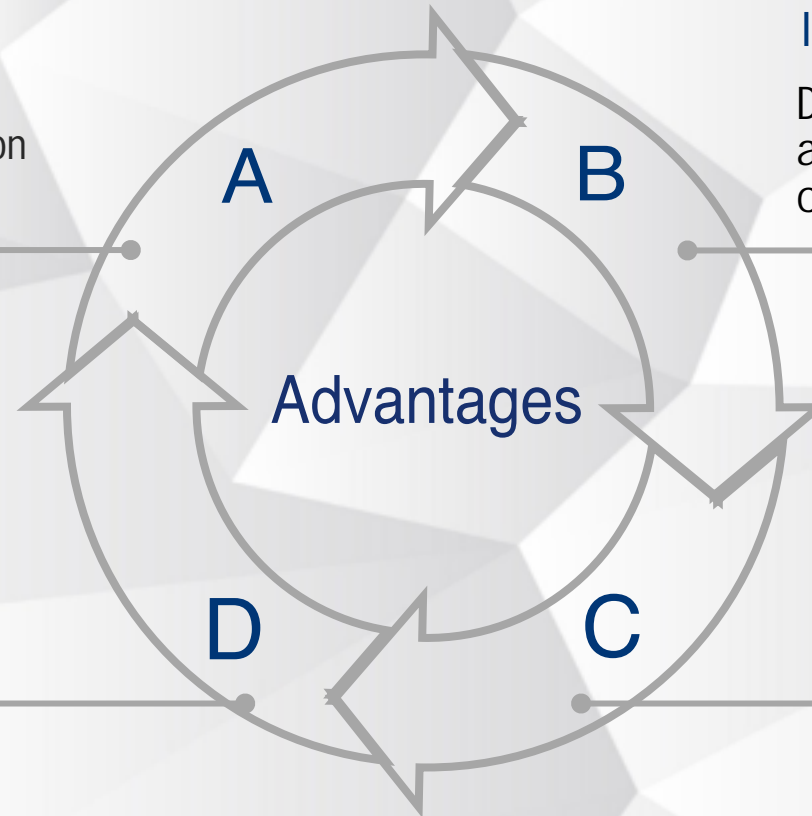
Develop localization service and international image on certain markets

Quality Control

Whole process of protecting copyrights from scratch design to mass production

Experience

Build solid interactive and co-operation relationships with clients



3



Our Factory

1

Total asset **50 million RMB**

Factory Area covered 21 acres, 6000 square meters

Injection moulding machine **25 sets**
Capacity: 5 ~ 1.2K pcs/12H

PP/PET automatic blowing machine **5 sets**
Capacity: 1 ~ 1.5W pcs/12H

High speed PET blowing machine **4 sets**
Capacity: 8 ~ 10K pcs/12H

Extruding blow moulding machine **3 sets**
Capacity: 6 ~ 1.2K pcs/12H

Equipments

Fully-automatic printing machine **3 sets**
Capacity: 1.8 ~ 2.5W pcs/12H

Semi-automatic printing machine **14 sets**
Capacity: 5 ~ 7K pcs/ 12H

Hot stamping machine : **8sets**
5 ~ 8pcs/12H

Auto packaging machine **2 sets**
Capacity: 1.8 ~ 2.5K pcs/ 12H

More than 100 employees

ISO9000 Certificated

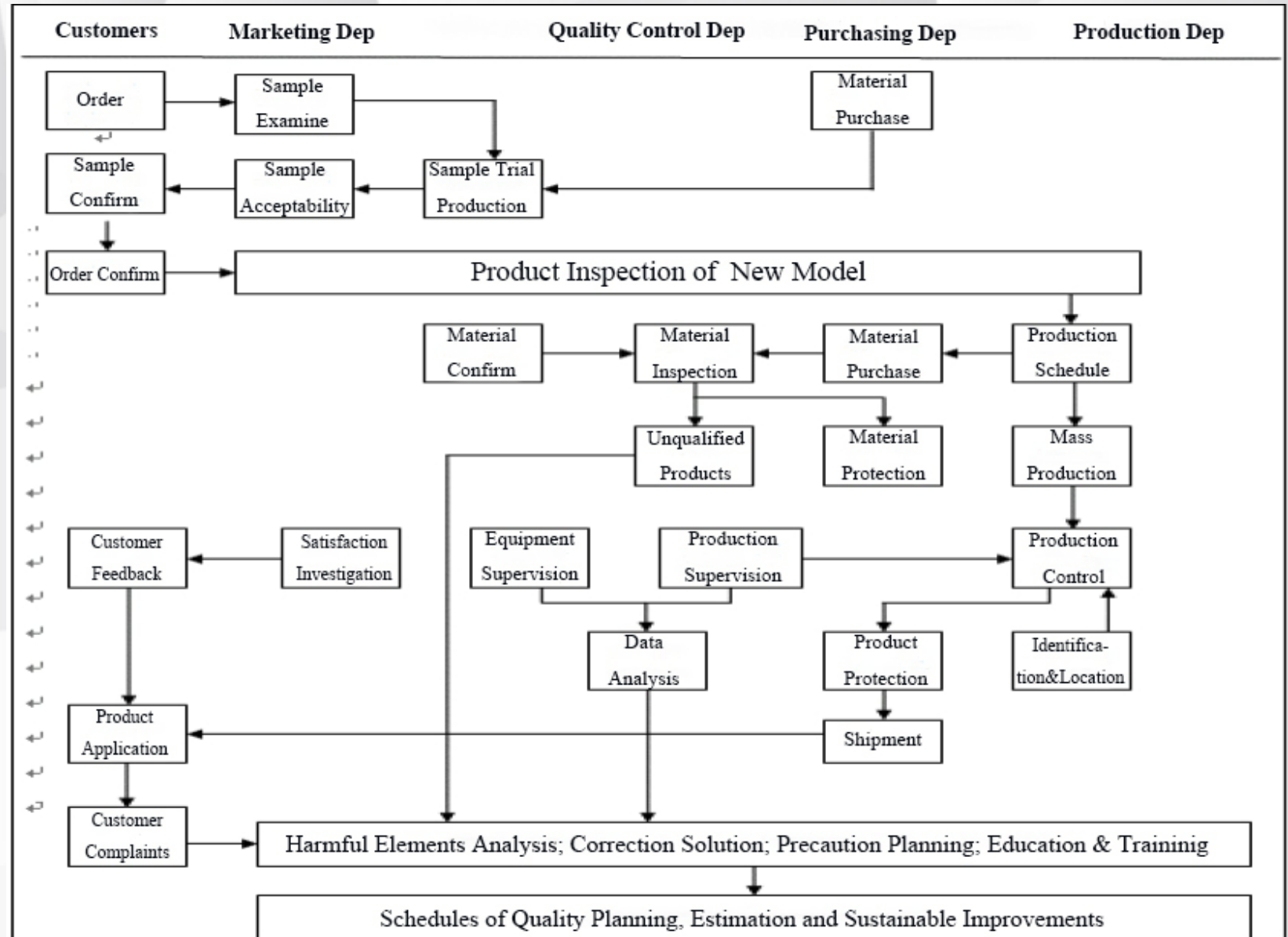
2

Certificate



3

Work Flow



4



Successful Cases

KanS
韩束®

OSM
欧诗漫



watsons 屈臣氏



凡茜®
FANXISHOP



Manuka Bee
LIP CARE
小蜜坊

ein.b®
怡恩贝

吾尊®
WUZUN

newlife | 新生活

1



Baby elephant





3



Kans



4



Fanxishop



5



| gN pearl



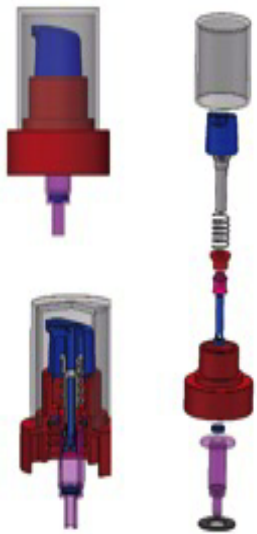
5



Patent Technology

Oil-free lotion pump

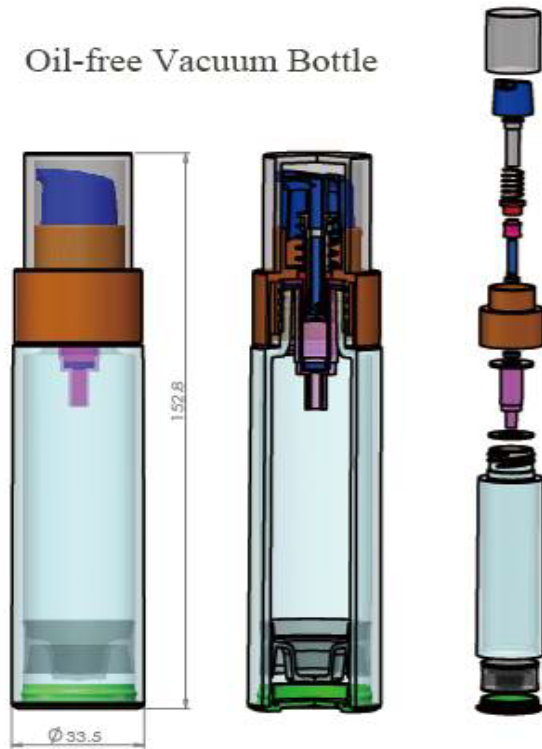
Oil-free lotion pump



- ✓ No lubricating oil on the nozzle and the piston, no contamination
- ✓ Seal vacuum test qualified, above 0.06 mpa air pressure, keeps 15 minutes air-tight
- ✓ Press 3-4 times for the first usage, five times is enough to use
- ✓ Liquid could always extrude out
- ✓ The extrusion volume is symmetric
- ✓ The spring of the nozzle is segregated from the liquid, no contamination
- ✓ Few or no residual liquid on the nozzle
- ✓ Press 1-2 times is enough to use
- ✓ Nozzle spring with specialized design, press with excellent feeling

Oil-free Vacuum Bottle

Oil-free Vacuum Bottle



Traditional Vacuum Bottle	PK	Oil-free Vacuum Bottle
Add lubricating oil on the nozzle, inside bottle and the piston, contaminates the inside liquid easily		No lubricating oil on the nozzle and the piston, no contamination
Seal vacuum test unqualified, liquid leaks from the bottle easily		Seal vacuum test qualified, above 0.06 mpa air pressure, keeps 15 minutes air-tight
Couldn't extrude liquid many times for the first usage		Press 3-4 times for the first usage, five times is enough to use
Liquid can't extrude out with high probability		Liquid could always extrude out
The extrusion volume is asymmetric		The extrusion volume is symmetric
The steel spring on the nozzle touches the inside liquid directly, lead to contamination easily		The spring of the nozzle is segregated from the liquid, no contamination
Residual liquid on the nozzle		Few or no residual liquid on the nozzle
The extrusion volume is small, repeatedly press required		Press 1-2 times is enough to use
The nozzle is hard to press		Nozzle spring with specialized design, press with excellent feeling

PPA 050



PPA 030



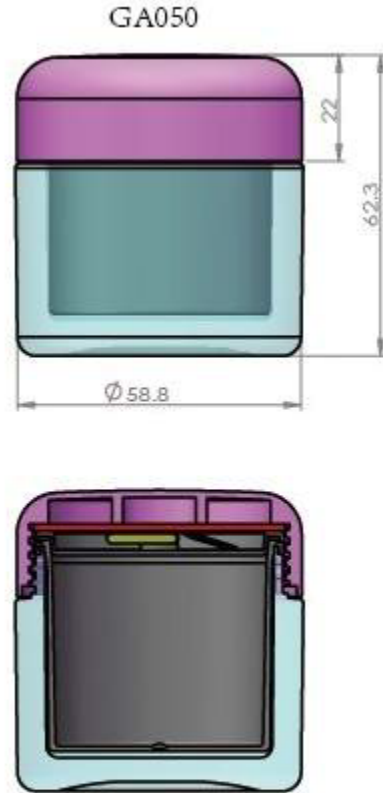
PPF 050



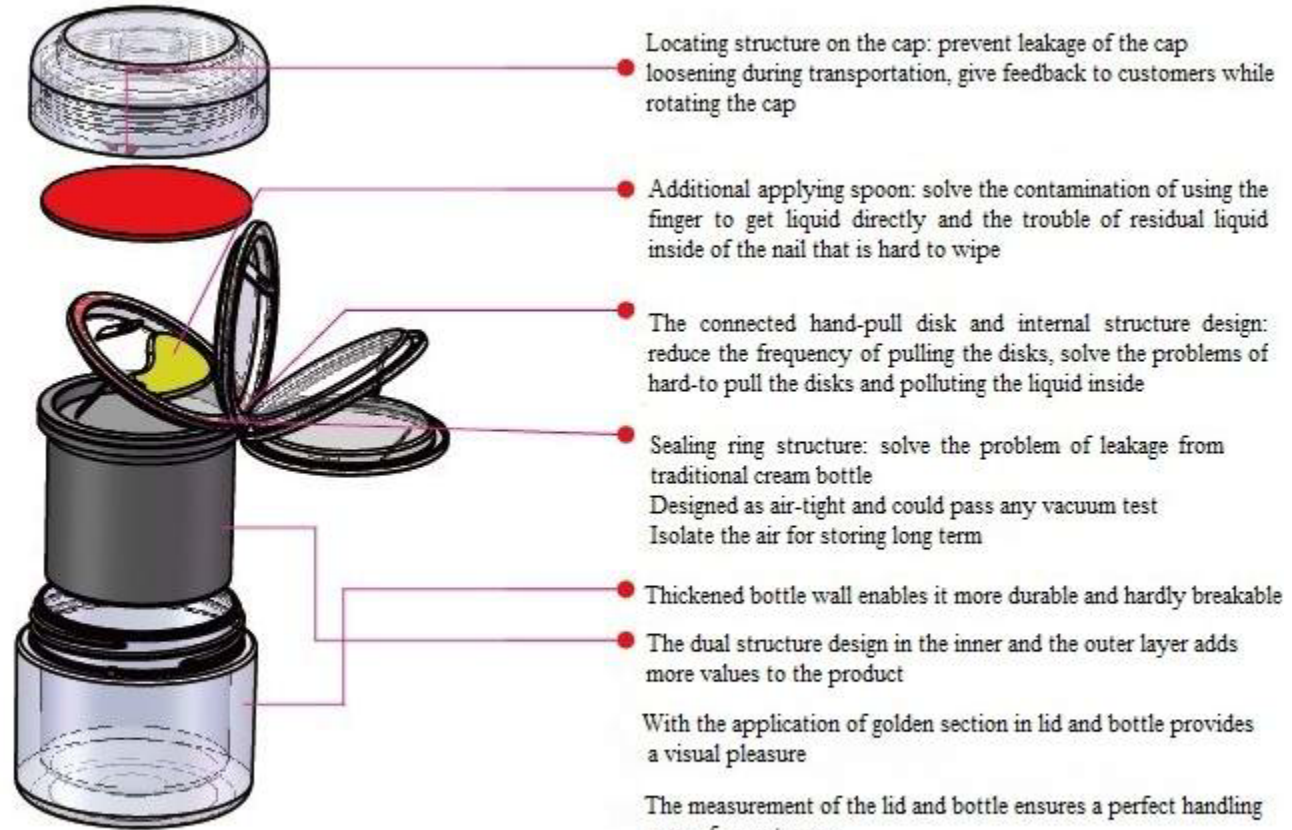
PPF 030



PET Thick Wall Cream Bottle



High quality Cream bottle-Patent Design



With the application of golden section in lid and bottle provides a visual pleasure

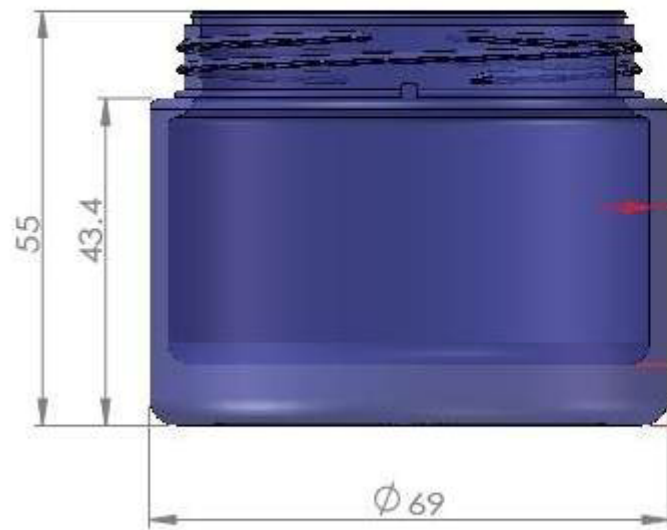
The measurement of the lid and bottle ensures a perfect handling sense for customers

The arc design on lid and bottle corner provides a better touch sense for customers

PET Thick Wall Cream Bottle

Creative Design

PET thick wall cream bottle



Wall thickness: 2.5mm

Thick wall

Elegant appearance

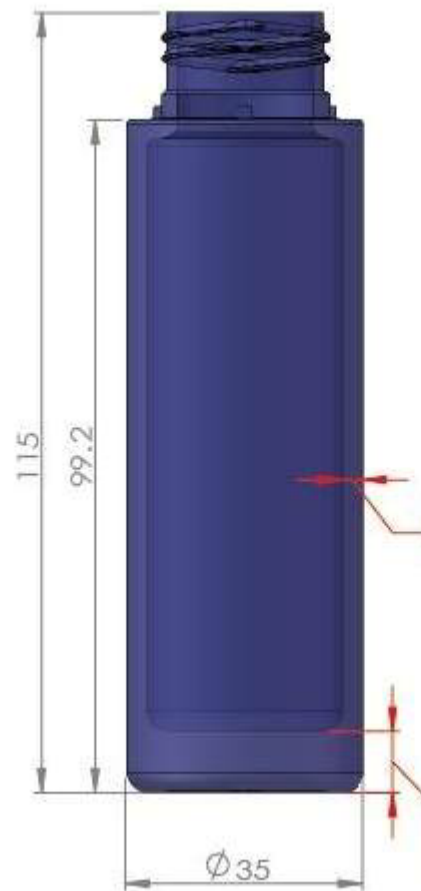
Bottom thickness: 8mm

Excellent touch sense

Clearer and brighter

Unbreakable

PET Thick Wall Lotion Bottle



Wall thickness: 3mm

Bottom thickness: 9mm

Creative Design

PET thick wall lotion bottle

Thick wall

Elegant appearance

Excellent touch sense

Clearer and brighter

Unbreakable

PET Thick Wall Cream Bottle



PET Thick Wall Lotion Bottle



PET Thick Wall Series



6



Best Seller

PETG Cream Bottle



PETG Cream Bottle

GA100



GA050



GA030



GA015



GA008



PETG Cream Bottle



PETG Cream Bottle



PETG Cream Bottle



Lotion Pump



Lotion Pump



Lotion Pump



Lotion Pump



Lotion Pump



Lotion Pump

KJ150



KJ120



KJ100



KJ080



KJ050



Lotion Pump



Spiral Cap



Spiral Cap



Spiral Cap



Spiral Cap



Spiral Cap



Vial Bottle





BEAUTY R&D LAB

美研所

Thank You

Shanghai Xingmei Industry Co., Ltd

Address : No.16, Lane 69, Gaoan Rd, Xuhui District Shanghai City

**Contact : contact@beautyrd.net
86 186 0175 3836**

Manufactory: Anhui Mingzhuang Plastic Co., Ltd